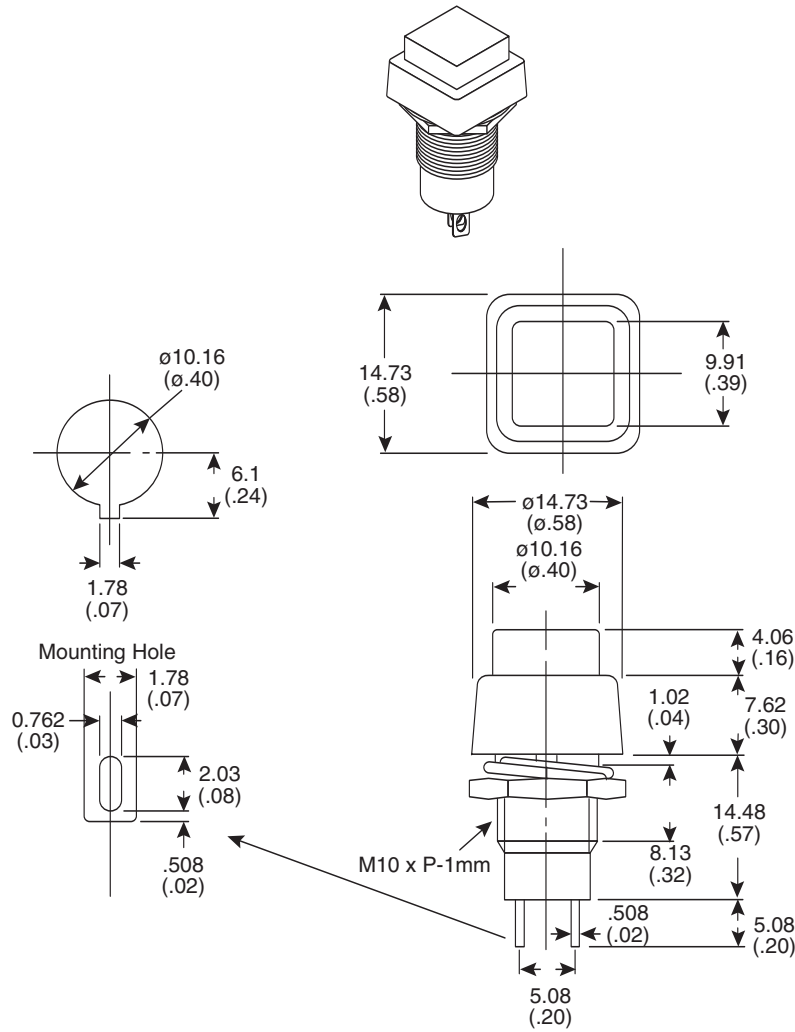


Dimensions: mm (In.)



**Mechanical Specifications:**

- Mechanical life: 100,000 operations

**Electrical Specifications:**

- Electrical life: 50,000 operations
- Rating: 3A / 125VAC, 1A / 250VAC
- Insulation resistance: 500VDC 100M $\Omega$  (min.)
- Dielectric strength: 1500VAC for 1 minute
- Contact resistance: 1A @ 2.5VDC 20m $\Omega$  (max.)

Mouser Stock No.	Button Color	Frame Color	Circuit
10PA332	Red	Black	Off-(On)
10PP432	Red	Black	On-Off
10PP433	Black	Black	On-Off

**Pushbutton Switches**  
10PA332, 10PP432, 10PP433

