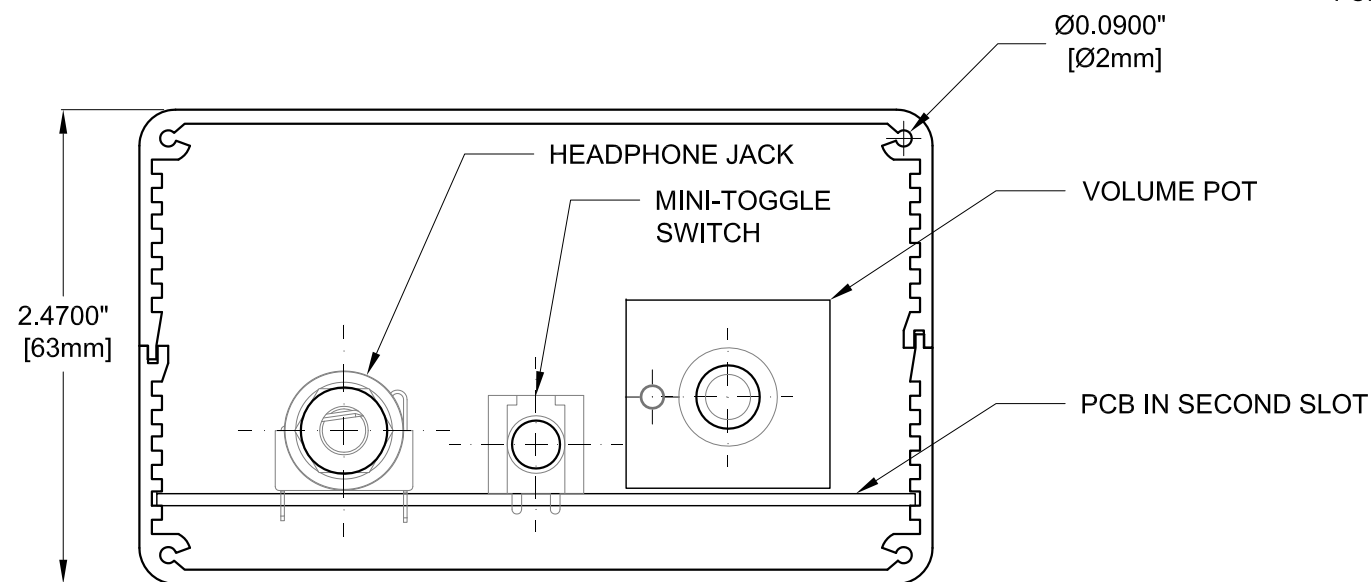


POPULATED PCB
IN 2nd SLOT FROM BOTOM

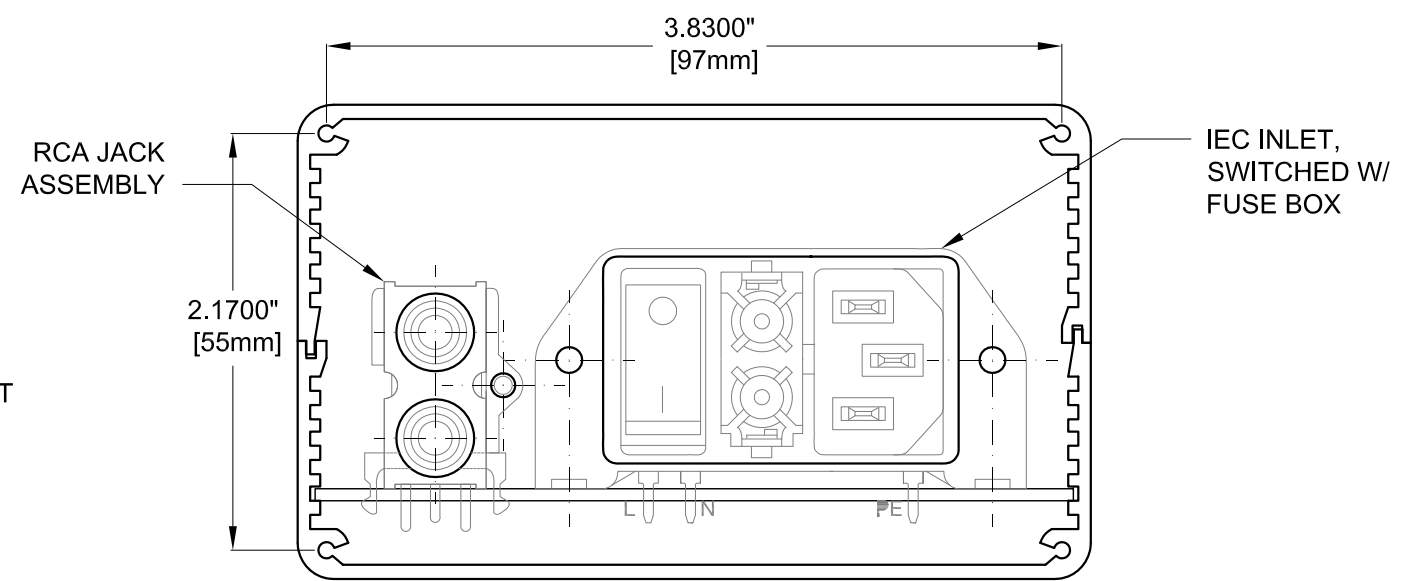
REFERENCE VIEW - TOP

FULL SCALE



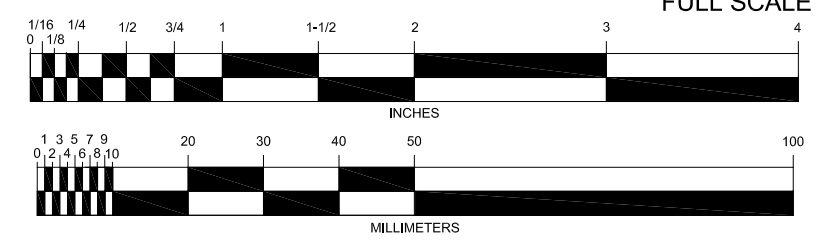
REFERENCE VIEW - FRONT

FULL SCALE



REFERENCE VIEW - REAR

FULL SCALE



T O R P E D O
parafeed headphone amp



beeZar.COM
ecp audio
www.ecpaudio.com

Torpedo Tube-Transformer Headphone Amplifier
Custom Case Extrusion
Overall Reference Views

PROJECT #: Torpedo-1
DATE: 2/1/2011
PROJ. OFFICER: TMB
DRAWN BY: TMB
CHECKED BY: TMB
DRAWING #: 1
OF: 3